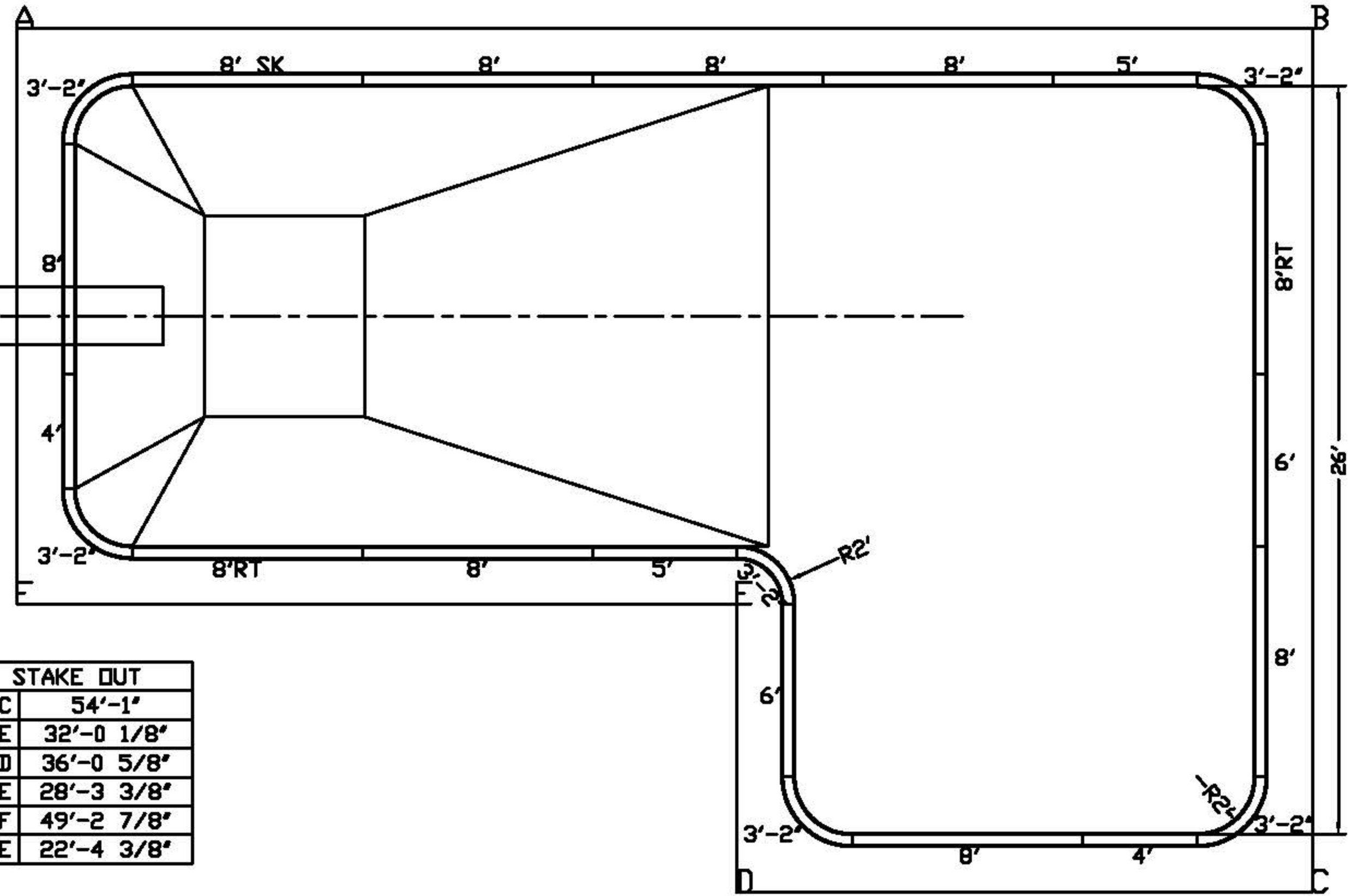


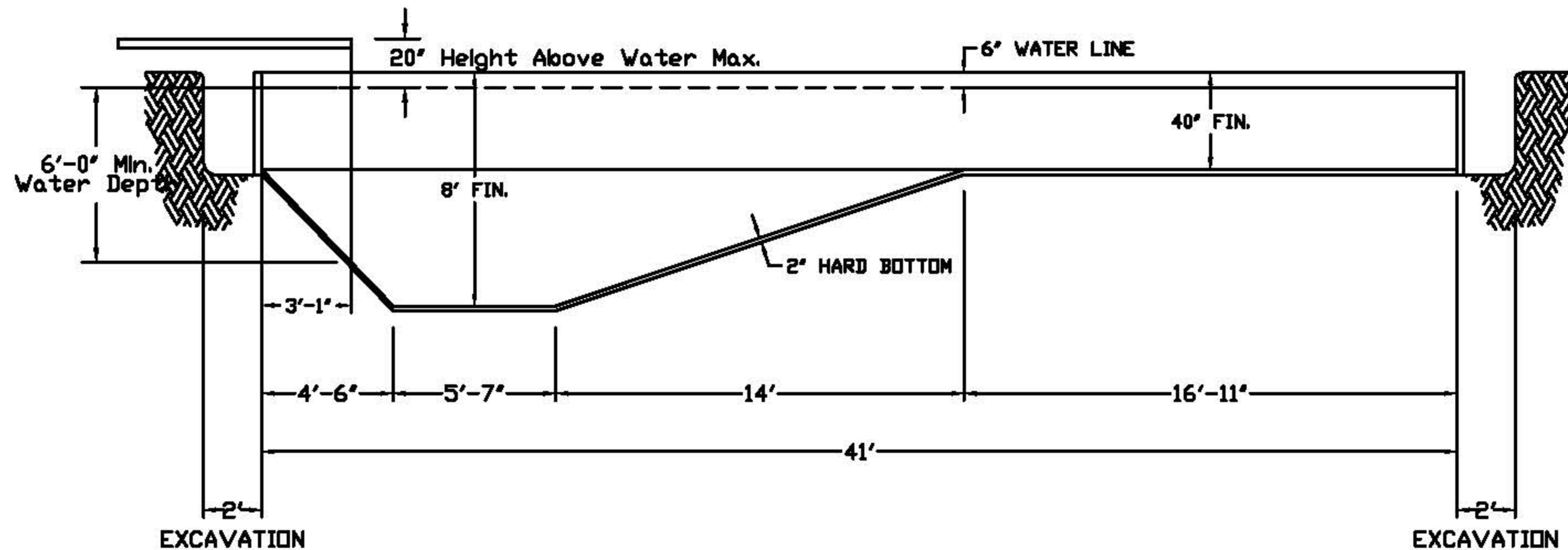
Max. Length of Diving Board 8'  
Jump Board 6'



STAKE OUT	
A-C	54'-1"
A-E	32'-0 1/8"
B-D	36'-0 5/8"
B-E	28'-3 3/8"
B-F	49'-2 7/8"
C-E	22'-4 3/8"

Polymer pool kits have maximum 6' panels

## N.S.P.I. TYPE II DIVING



### Classic Series

RoyalSwimmingPools.com

877-602-7067

16x41x26 SQUARE-L Left

DRAWN BY: NM	Revisions	PER.: 128' -10"
DATE: 2/02/07	1	S.A.: 812.566 ft <sup>3</sup>
SCALE: NTS	2	VOL.:
DRAWING NUMBER:		APPROVED:
ALP1641LSL207		